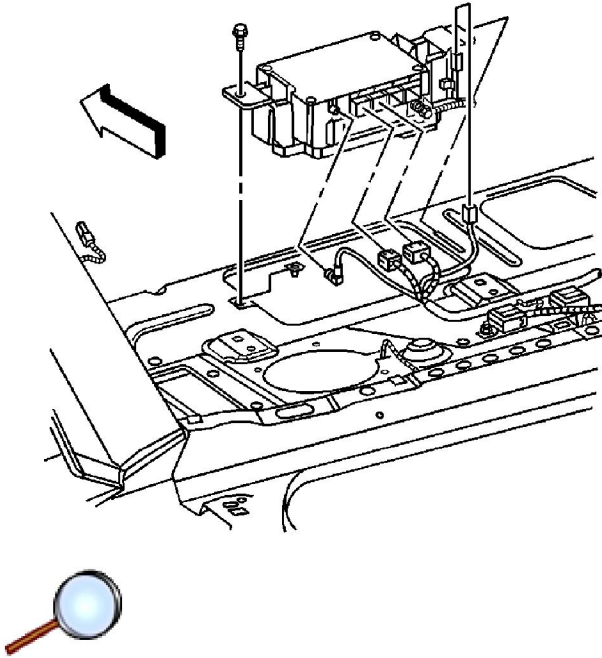


Communication Interface Module Replacement

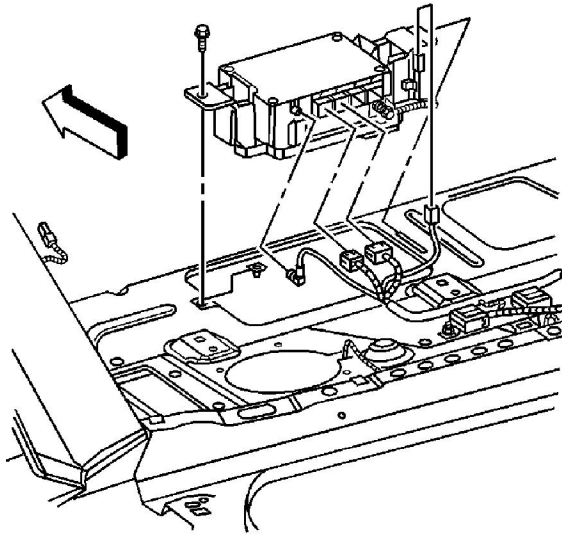
Removal Procedure



Important: The vehicle communication interface module (VCIM) has a specific set of unique numbers that tie the module to each vehicle. These numbers, the 10-digit station identification and the 11-digit electronic serial number, are used by the National Cellular Network and OnStar® to identify the specific vehicle. Because these numbers are tied to the vehicle identification number of the vehicle, you must never exchange these parts with those of another vehicle.

1. Remove the rear shelf trim. Refer to [Rear Window Shelf Trim Panel Replacement](#).
2. Remove the interface module from the bracket by pulling back on the bracket tabs.
3. Disconnect the electrical harnesses and the antenna cable.

Installation Procedure



1. Connect the antenna cable and electrical connections to the VCIM.
2. Install the VCIM into the mounting bracket.
3. Install the rear shelf trim. Refer to [Rear Window Shelf Trim Panel Replacement](#).

Important: After replacing the vehicle communication interface module, you must reconfigure the OnStar® system. Failure to reconfigure the system will result in an additional customer visit for repair. In addition, pressing and holding the white dot button on the keypad will NOT reset this version of the OnStar® system. This action will cause a DTC to set.

4. Reconfigure the OnStar® system. Refer to [Control Module References](#) for programming and setup information.